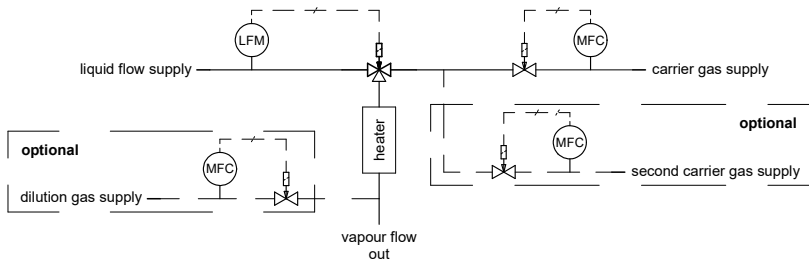
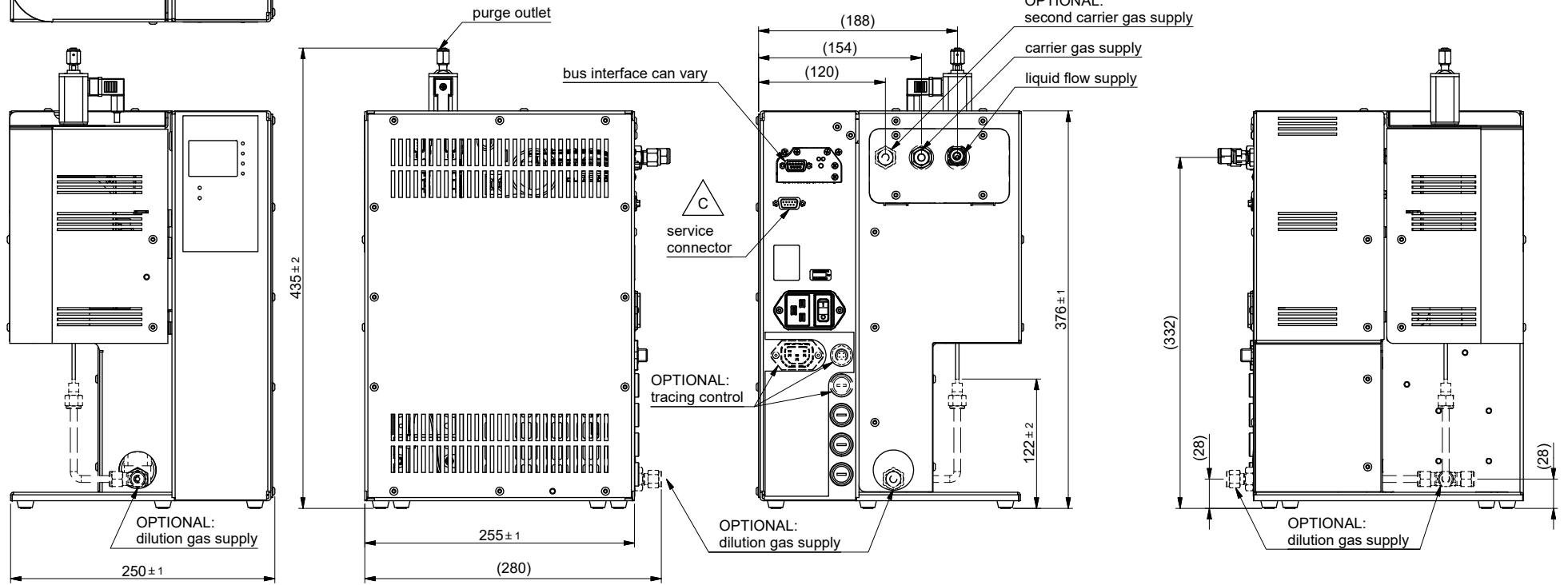
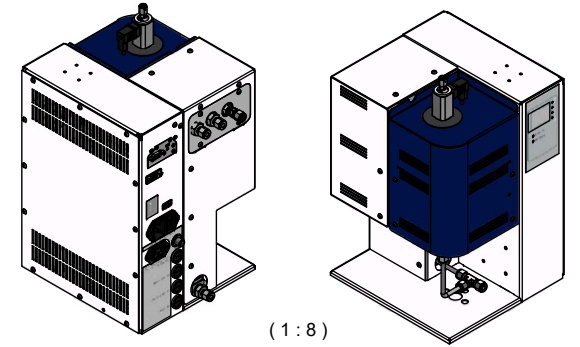
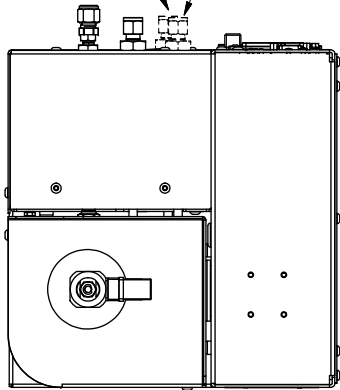

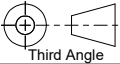


OPTIONAL:
dilution gas supply

OPTIONAL:
second carrier gas supply



Dimensions subject to change without notice.

Title: Dimensional drawing Vapor Delivery Module		Drawer : M.H.	Revision Description: View updated and text "service connector" added.		
 www.BRONKHORST.COM		Date: 11-07-2014	Checked : S.B. Date: 12-10-2018 Rev. by: R.Ge. Scale: 1:4 A3		
		Projection: Third Angle 			
Dimensions: Metric (mm)					